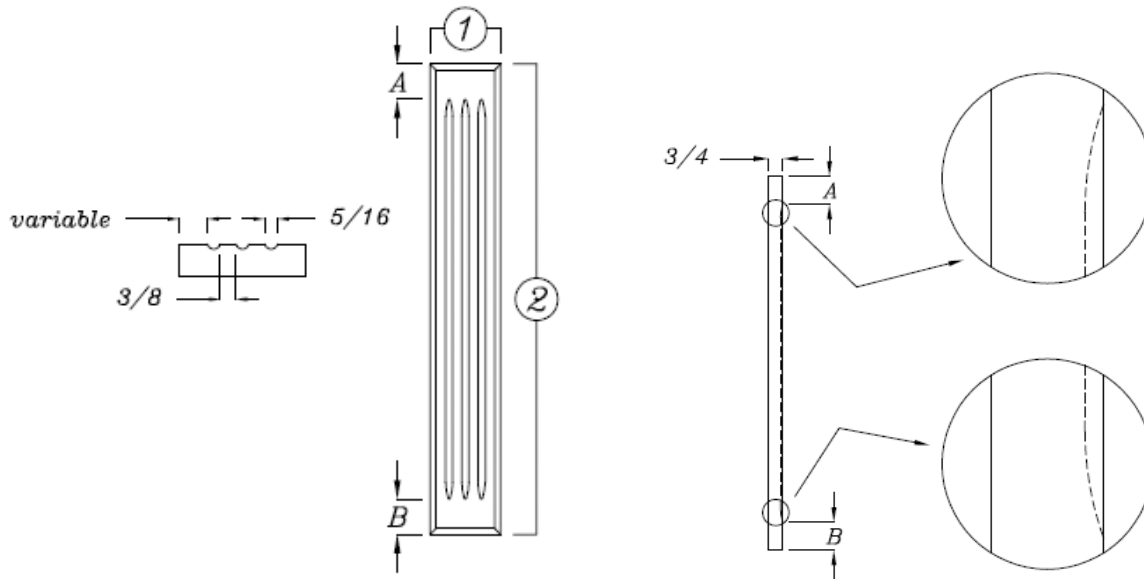


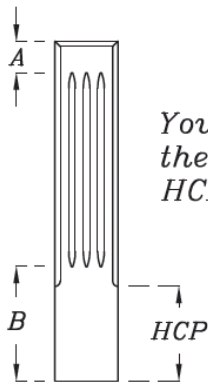
# GOBER

cabinet doors

FL02/ ① ② A,B,HCP,?/...



Flutes only available in 5/16" width



You can specify where you want the edge profile to stop using the HCP code.

## OPTIONS

①	Width	MINIMUM=2 1/2"
②	Height	MINIMUM=24"
A	Measure between the top and end of flutes	
B	Measure between bottom and end of flutes	
HCP	Toe kick height (edge profile)	
?	Edge profiles	E-01 to E-58
...	Side(s) to be profiled	L=left/R=right/T=top/B=bottom

Width ①	Amount of flutes 5/16"
2 1/2" to 4 1/4"	3
4 5/16" to 4 15/16"	4
5" to 5 15/16"	5
6"	6